

## Endurance 3230

Rugged Router



### Product Information

Designed for mobile-IP operations, the CodaOctopus Colmek Endurance 3230 router delivers superior performance under harsh conditions. This rugged router provides netcentric in-vehicle applications and communications-on-the-move (COTM). Applications include wireless Voice over IP (VOIP), system diagnostics and streaming media, answering the needs of both civil and military agencies.

The Endurance 3230 comes with optional brackets to allow for daggerpin tray mounting and easily piggy-backs off of various other interfaces. The flange mount baseplate and cooled chassis makes for easy installation. Answering the need for accessibility and reliability the Endurance 3230 uses 3200 series mobile access routing and industry standard IOS software, and features an easy access panel showing LED status indicators, console port and client operated reset.

The 3230 has supported PowerOverEthernet and PowerWithSerial ports eliminating the need for separate power sources and enabling the unit to be powered by aircraft (MIL-STD-704E) and ground (MIL-STD-1275B\*) mobile voltage input. Sealed connectors (MIL-C-3899) protect four serial ports (multi-protocol) and five 10/100 Ethernet ports.

The 3230 is ruggedized to comply with MIL-STD-461 radiated and conducted EMI/EMC standards, and MIL-STD-810F environmental standards. Testing to these standards include: crash and impact safety, water immersion, vibration and shock and unit humidity levels and the Endurance 3230 passes with flying colors.

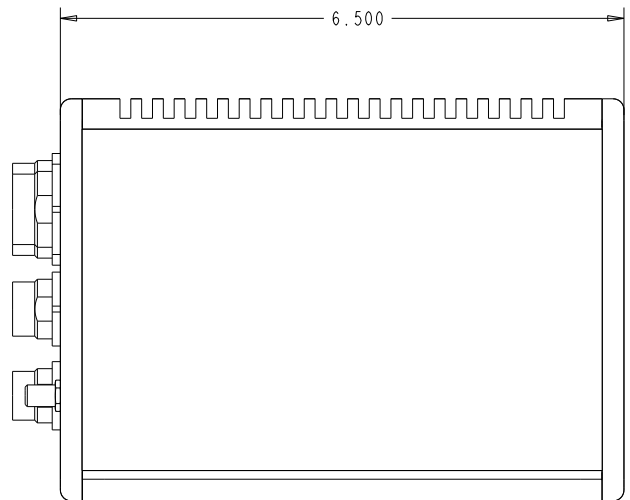
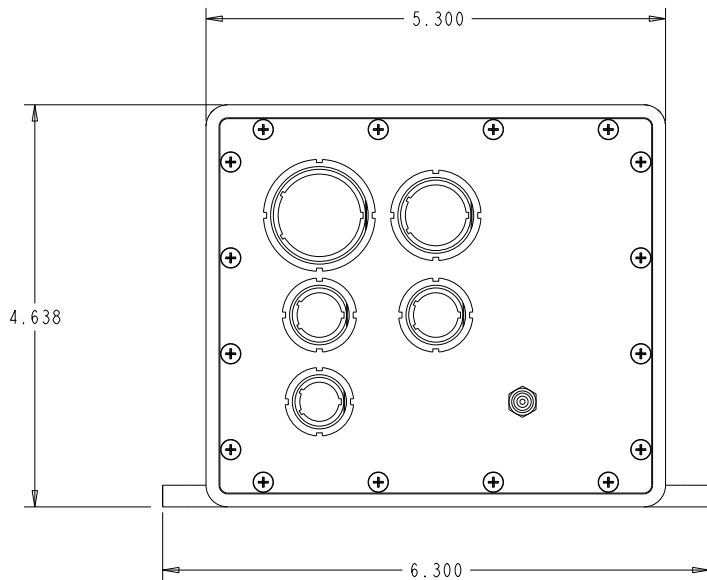
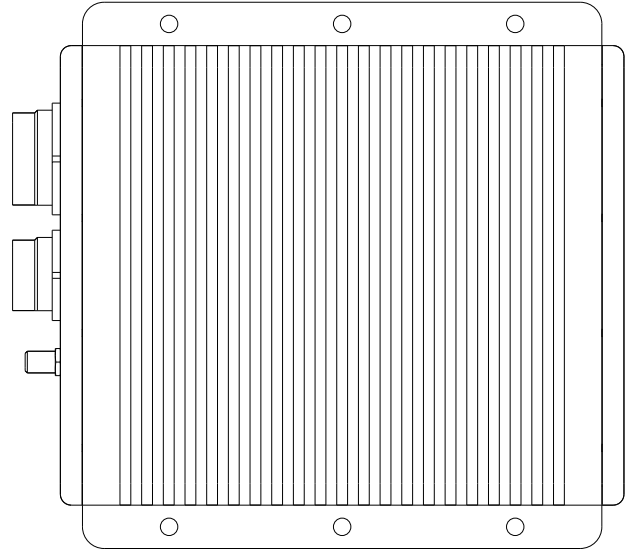
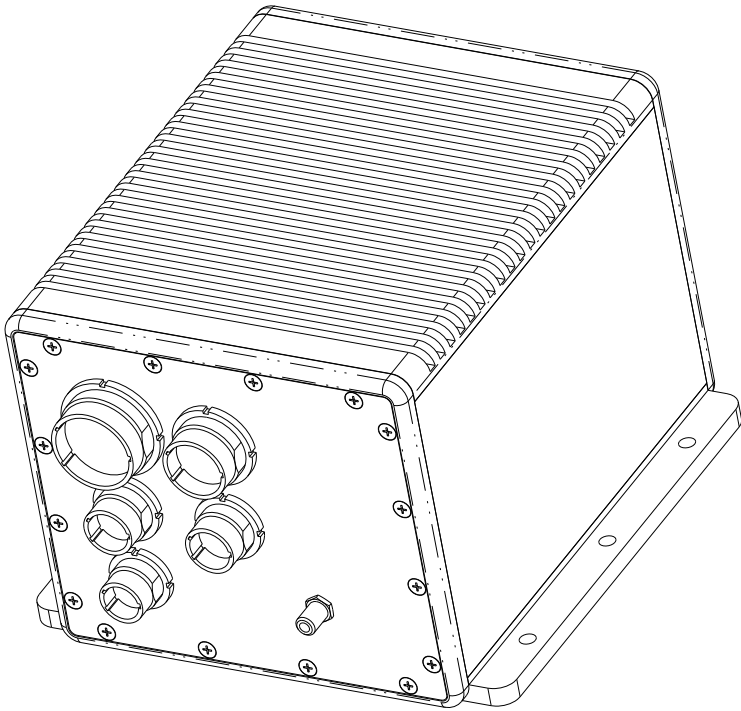


Data subject to change without notice

# CodaOctopus COLMEK

Product Drawings

module  
with cold plate



CodaOctopus COLMEK

2001 S 3480 W • Salt Lake City, Utah 84104 USA • Phone: 801-973-9136 • Fax: 801-973-9285

E-mail: [info@colmek.com](mailto:info@colmek.com) • Website: [www.colmek.com](http://www.colmek.com)

© 2008 Colmek Systems Engineering. All Rights Reserved. Colmek reserves the right to make changes in its products and specifications at anytime without notice. All trademarks indicated as such herein are trademarks of Colmek Systems Engineering. All other products and service names are the property of their respective owners. • Reg. U.S. and Tm. Off.