

RhinoTuff™ 840 Rugged All in One PC

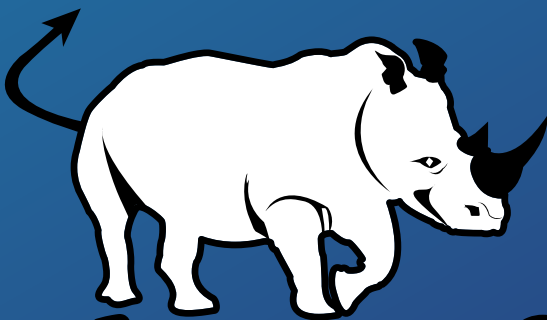
CodaOctopus COLMEK

Display:

- 8.4" LCD, 1000 NIT Brightness (@25C)
- Rugged Touch Screen

Computer:

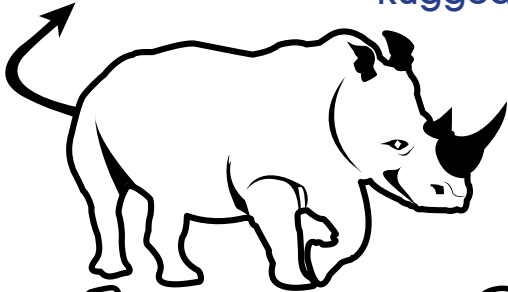
- Intel® Atom® Z530, 1.6 GHz, 4GB Flash
- 2GB Ram
- 8, 16, 32 or 64 GB SSD
- Ubiquiti XtremeRange2 Wireless
- 12V input
- CAN bus



RhinoTuff™ 840

CodaOctopus COLMEK

RhinoTuff™ 840 All in One PC Ruggedized Mounted Touch Screen Computer



RhinoTuff™ 840



Display:

- 8.4" LCD, 1000 NIT Brightness (@25C)
- Rugged Touch Screen

Mechanical:

- Hardened 6061-T6 Aircraft Aluminum Alloy Case
(Case Interfaces Sealed Other Than Standard PC Connectors)
- Fully Sealed Available Using Sealed Circular MIL Connectors

Computer:

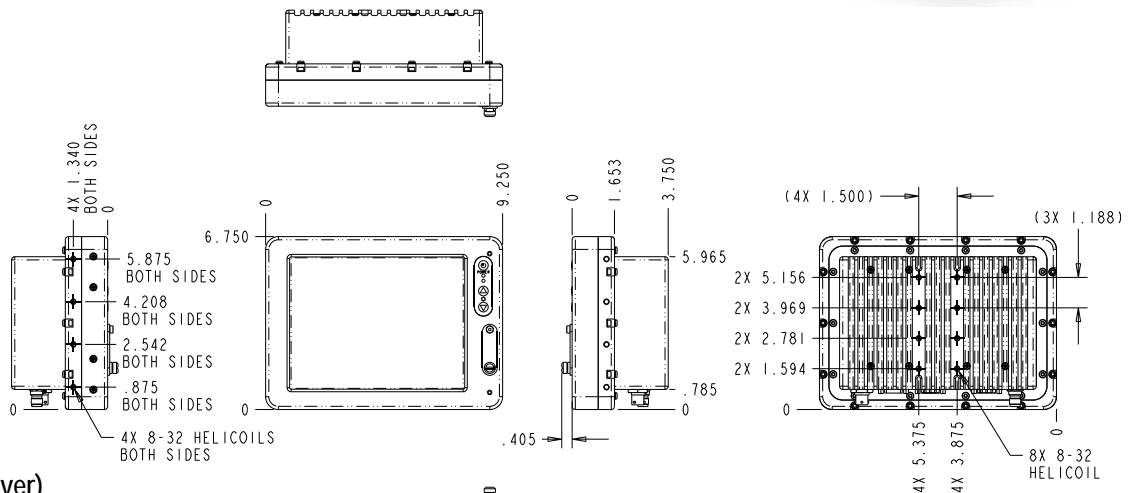
- Intel® Atom® Z530, 1.6 GHz
- 2GB Ram
- 8, 16, 32 or 64 GB SSD
- Ubiquiti XtremeRange2 Wireless
- 12V input
- CAN bus

Rear I/O Interface:

- 2X USB
- 2X COM
- 1X CAN
- 1X Ethernet
- 1X Power

Front Interface:

- 1X USB (Access under a sealed cover)
- Power Switch
- Brightness Up/Down
- System On LED (Green)
- System Powered (Yellow)



REF	DES	FUNCTION
J1		POWER
J2		COM 1
J3		COM 2
J4		ANTENNAE
J5		USB 1
J6		USB 2
J7		ETHERNET
J8		CAN

CodaOctopus COLMEK

Data subject to change without notice

1775 S 4130 W, Suite A • Salt Lake City, Utah 84104 USA • Phone: 801-973-9136 • Fax: 801-973-9285
E-mail: info@colmek.com • Website: www.colmek.com

© 2009 Coda Octopus Colmek. All Rights Reserved. Colmek reserves the right to make changes in its products and specifications at anytime without notice. All trademarks indicated as such herein are trademarks of Coda Octopus Colmek. All other products and service names are the property of their respective owners. • Reg. U.S. and Tm. Off.

RhinoTuff™ 840 All in One PC Ruggedized Mounted Touch Screen Computer

The robust, mounted RhinoTuff™ 840 rugged touch screen computer is built exclusively for reliable operation in the world's harshest environments. This all-weather, all terrain, all in one PC thrives in field where the average "tough" computer is simply not tough enough, including:

- Mining & Construction Sites
- Oil Fields
- Marine Environments
- Military Battlefields
- Transportation Arena

This all in one PC combines a tablet PC's flexibility with the hard-mounting stability of a panel PC. The RhinoTuff™ offers multiple mounting configurations, including adjustable position RAM/ball mounts and threaded side holes for custom bracket mounting.

Armored with a hardened shell which is machined from billet 6061-T6 aluminum alloy, the RhinoTuff™ hybrid PC is the 'M1 Tank' of the touch screen computers. It is designed to meet MIL-STD-810F and MIL-STD-461E environmental standards and uses MIL circular connectors as standard (other connectors optional). Highly modular, the RhinoTuff™ 840 boasts selectable hard drive - 8 to 64 GB solid state disk (SSD), available CAN bus, GPS, and a full menu of user configurable internal functions and I/O configurations.

Coda Octopus Colmek engineered the RhinoTuff™ 840 touch screen computer with a sophisticated 8.4 (10.4", 12.1" & 15" also available) inch sunlight readable LCD, 1000 NIT brightness (@ 25C), with rugged touch screen, offering the user maximum levels of reliability and productivity. This all in one PC is built to last, fusing revolutionary systems and displays with unsurpassed ruggedness and durability.

For more information regarding the specifics of the RhinoTuff™ 840 rugged touch screen computer, please [contact us](#).